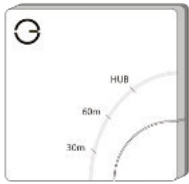
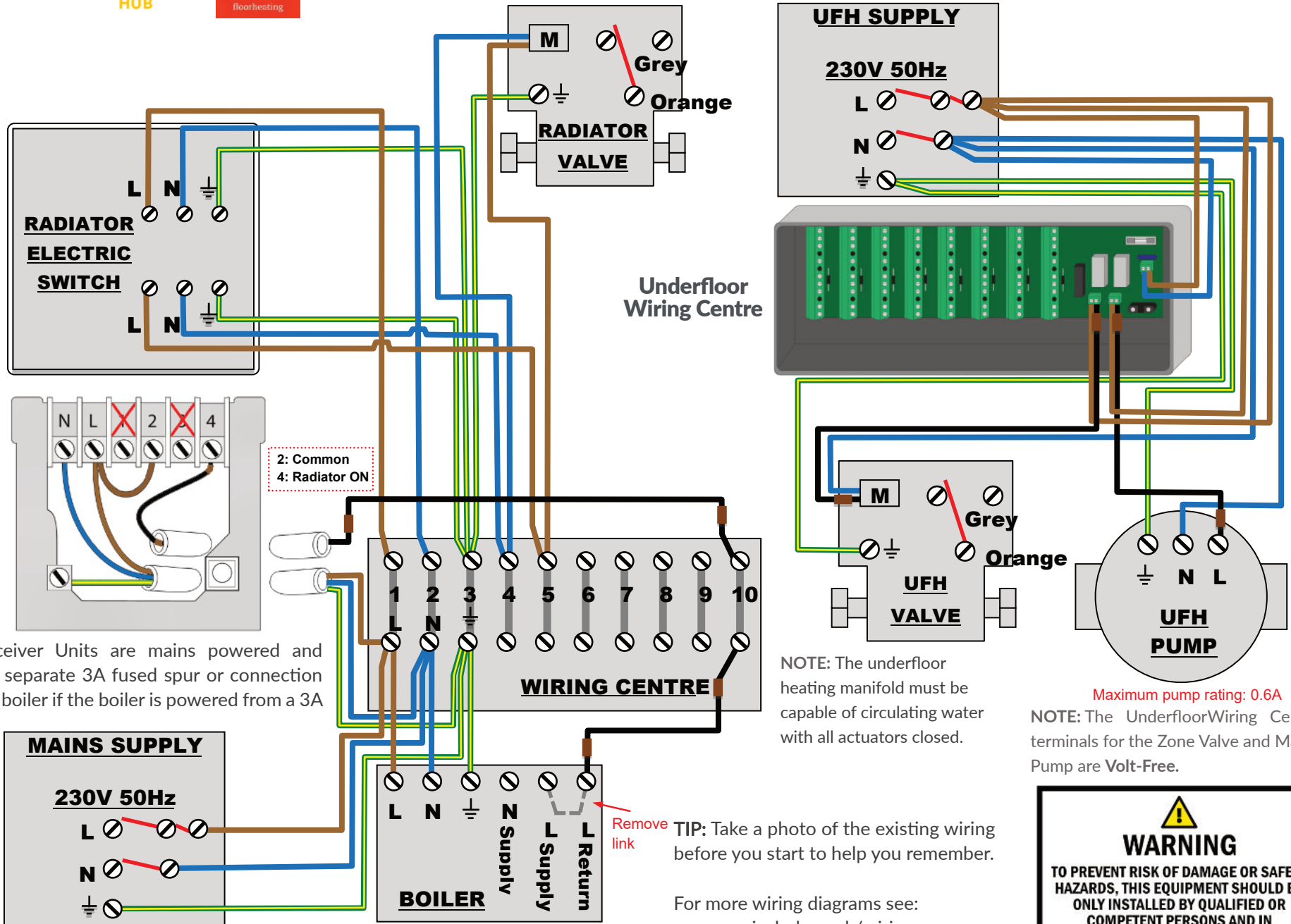
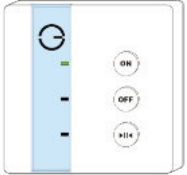


Electric Switch



Single Channel Receiver



NOTE: The Receiver Units are mains powered and require either a separate 3A fused spur or connection directly into the boiler if the boiler is powered from a 3A fused spur.

NOTE: The underfloor heating manifold must be capable of circulating water with all actuators closed.

Maximum pump rating: 0.6A  
NOTE: The UnderfloorWiring Centre terminals for the Zone Valve and Manifold Pump are Volt-Free.

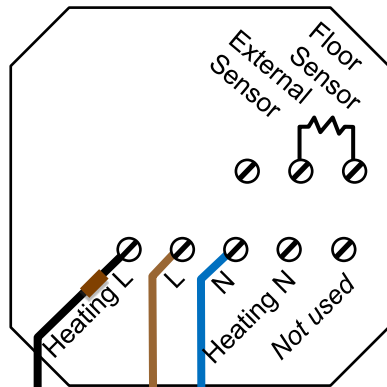
TIP: Take a photo of the existing wiring before you start to help you remember.

For more wiring diagrams see:  
[www.geniushub.co.uk/wiring](http://www.geniushub.co.uk/wiring)

**WARNING**

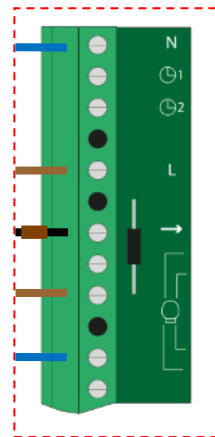
TO PREVENT RISK OF DAMAGE OR SAFETY HAZARDS, THIS EQUIPMENT SHOULD BE ONLY INSTALLED BY QUALIFIED OR COMPETENT PERSONS AND IN ACCORDANCE WITH ALL APPLICABLE ELECTRICAL REGULATIONS

## Powered Room Thermostat



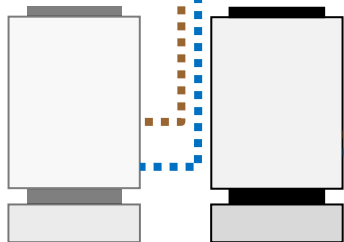
**NOTES** Earths omitted for clarity.

Insert link or floor probe into Floor Sensor terminals



**NOTE** Remember to remove the red tab from the top of the actuators, before testing the system.

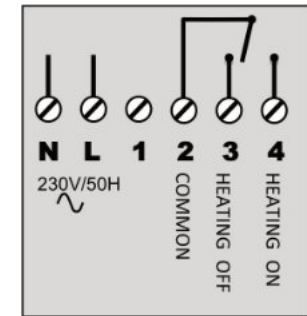
**NOTE** Optional second actuator.



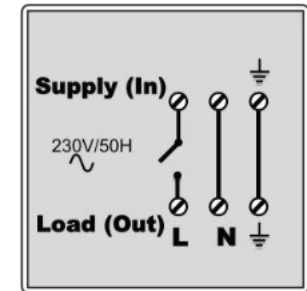
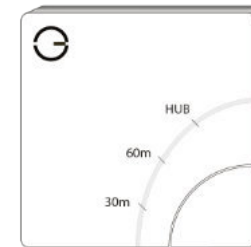
**WARNING**  
 TO PREVENT RISK OF DAMAGE OR SAFETY HAZARDS, THIS EQUIPMENT SHOULD BE ONLY INSTALLED BY QUALIFIED OR COMPETENT PERSONS AND IN ACCORDANCE WITH ALL APPLICABLE ELECTRICAL REGULATIONS

## Internal Wiring Diagram

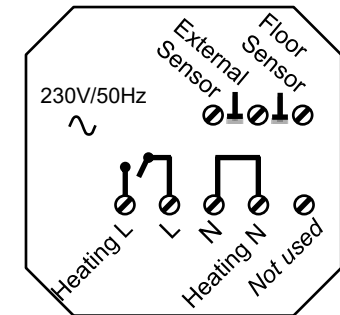
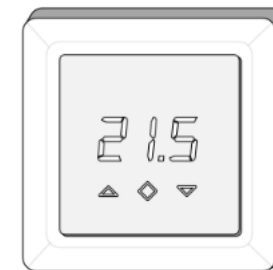
### Single Channel Receiver



### Electric Switch



### Powered Room Thermostat



**TIP:** Take a photo of the existing wiring before you start to help you remember.

For more wiring diagrams see: [www.geniushub.co.uk/wiring](http://www.geniushub.co.uk/wiring)