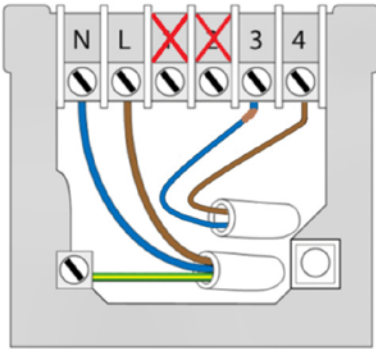
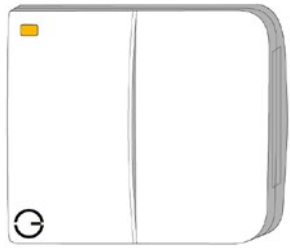
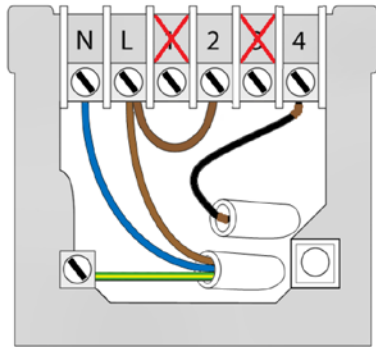
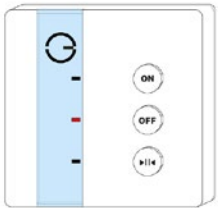


Dual Channel Receiver



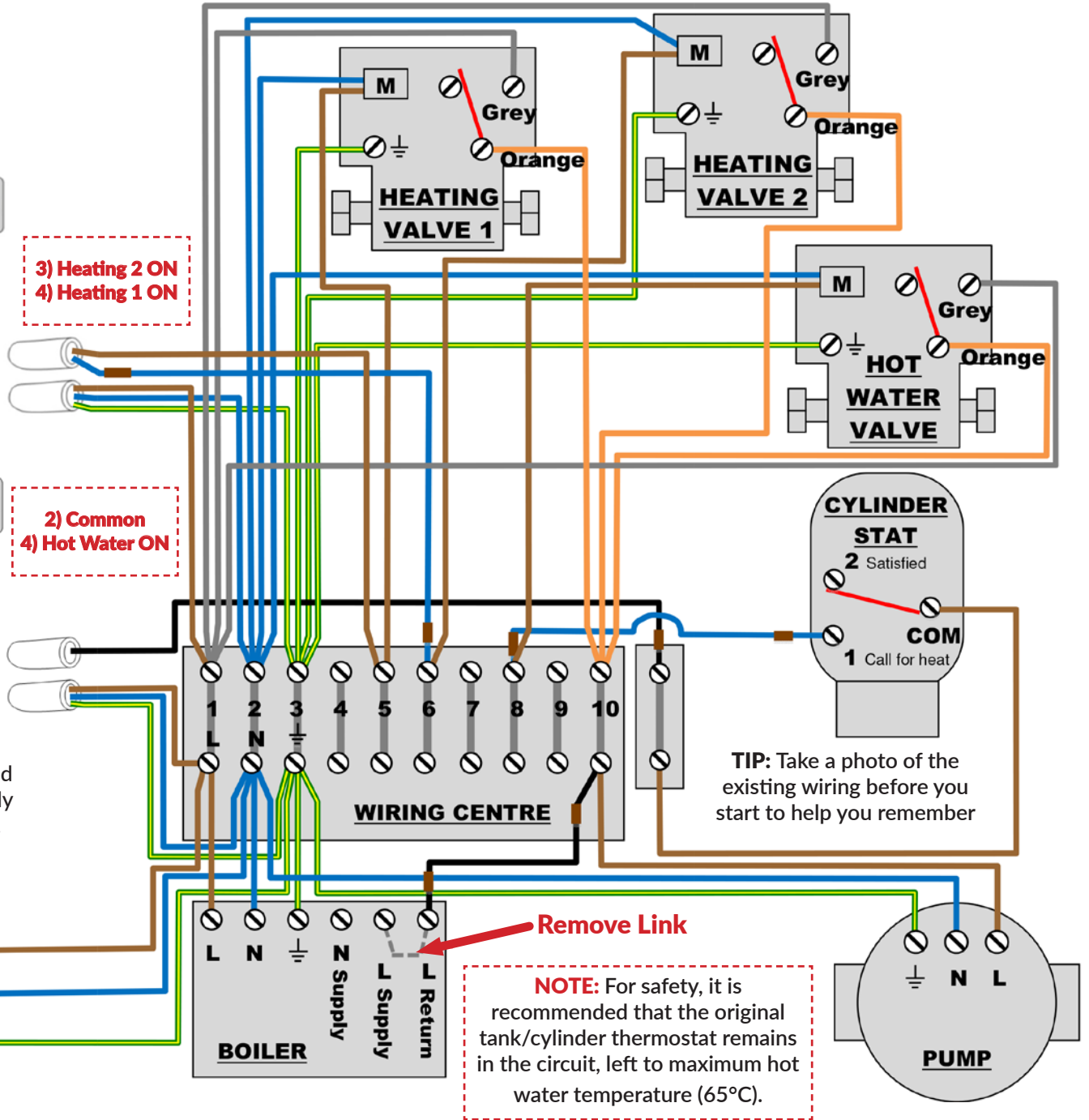
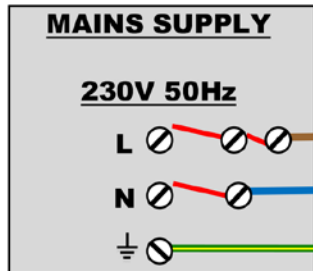
3) Heating 2 ON
4) Heating 1 ON

Single Channel Receiver



2) Common
4) Hot Water ON

PLEASE NOTE: The boiler controller is mains powered and requires either a separate 3A fused spur or connection directly into the boiler if the boiler is powered from a 3A fused spur.



TIP: Take a photo of the existing wiring before you start to help you remember

NOTE: For safety, it is recommended that the original tank/cylinder thermostat remains in the circuit, left to maximum hot water temperature (65°C).