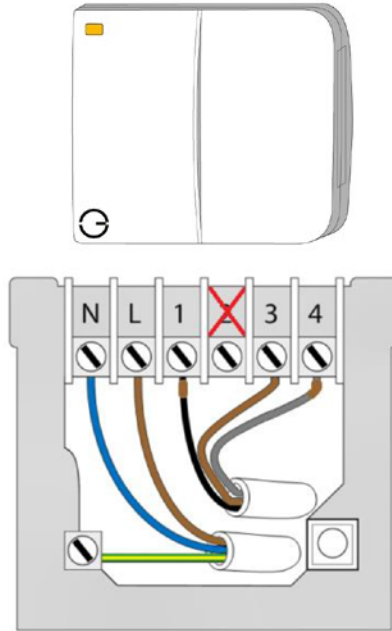


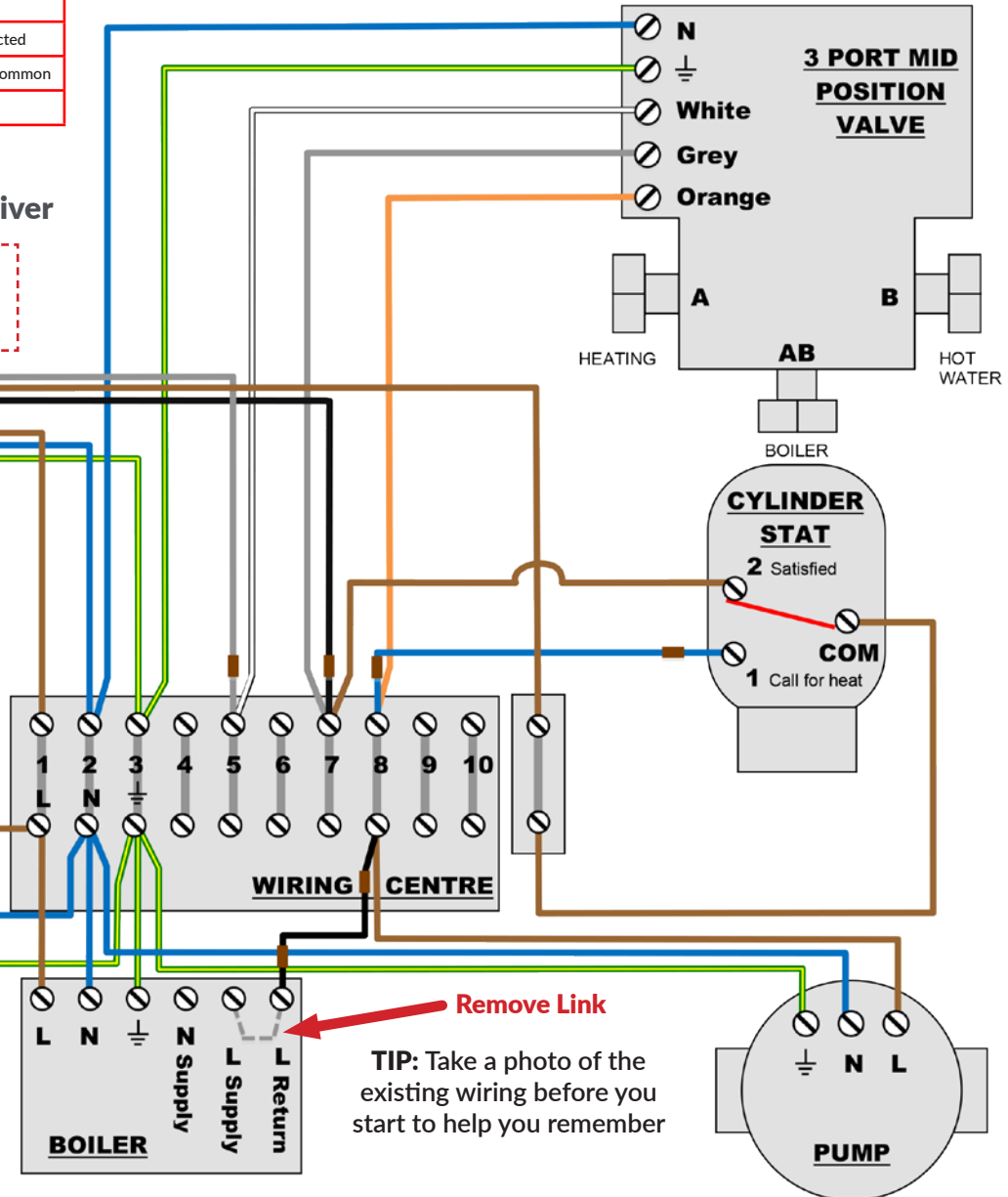
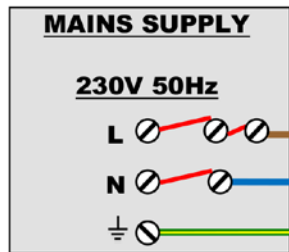
Genius Hub Terminal	Wiring Centre Terminal
N	2
L	1
1	7
2	Not Connected
3	Cylinder Stat Common
4	5



Dual Channel Receiver

- 1) Hot Water OFF
- 3) Hot Water ON
- 4) Heating ON

NOTE: For safety, it is recommended that the original tank/cylinder thermostat remains in the circuit, left to maximum hot water temperature (65°C).



PLEASE NOTE: The boiler controller is mains powered and requires either a separate 3A fused spur or connection directly into the boiler if the boiler is powered from a 3A fused spur.

TIP: Take a photo of the existing wiring before you start to help you remember