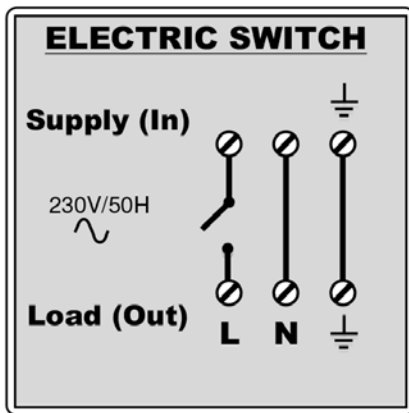


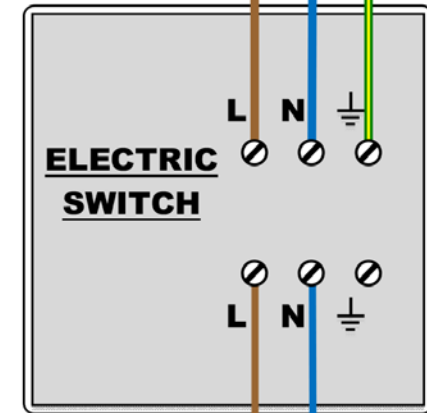
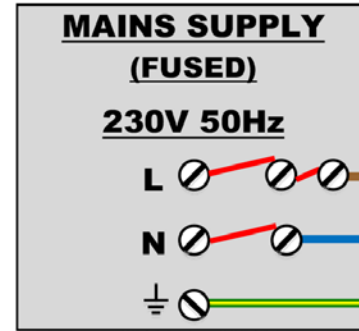
**TIP:** Take a photo of the existing wiring before you start to help you remember

For more wiring diagrams see:  
[www.geniushub.co.uk/wiring](http://www.geniushub.co.uk/wiring)

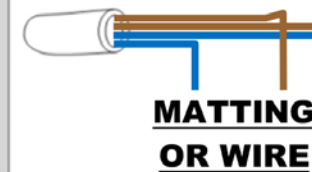
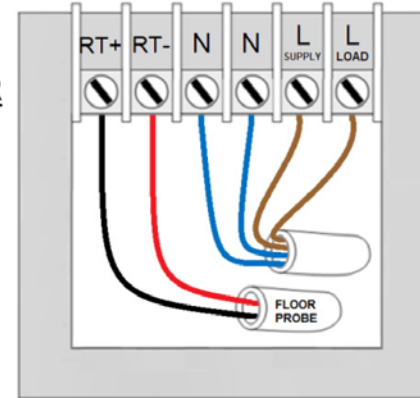
### Internal Diagram



**PLEASE NOTE:** If the electric underfloor heating has a fused spur then this needs to be retained. The Electric Switch should be wired in line with any existing fused spur.



### HEATMISER DS1-E



### Heatmiser DS1-E Dip Switches

1°C Switching	Switch 1 OFF Switch 2 OFF
2°C Switching	Switch 1 ON Switch 2 OFF
3°C Switching	Switch 1 OFF Switch 2 ON

Air Sensor	Switch 3 OFF Switch 4 OFF
Air & Floor	Switch 3 ON Switch 4 OFF
Floor Sensor	Switch 3 OFF Switch 4 ON

20°C Floor Limit	Switch 5 OFF Switch 6 OFF
28°C Floor Limit	Switch 5 ON Switch 6 OFF
40°C Floor Limit	Switch 5 OFF Switch 6 ON

**WARNING:** The DS1-E must be set to Floor Sensor **only**, for more detailed information see the DS1-E instructions.