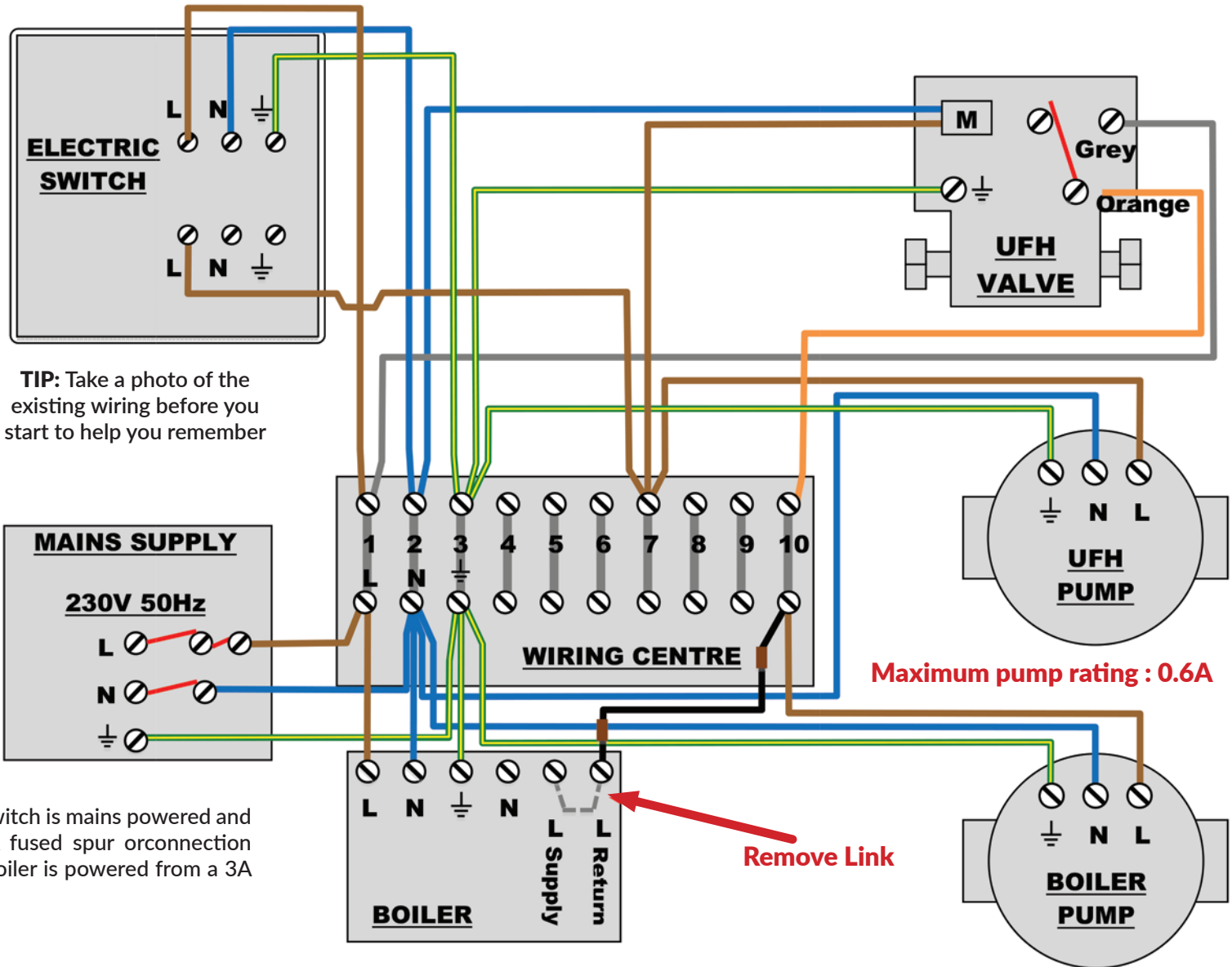
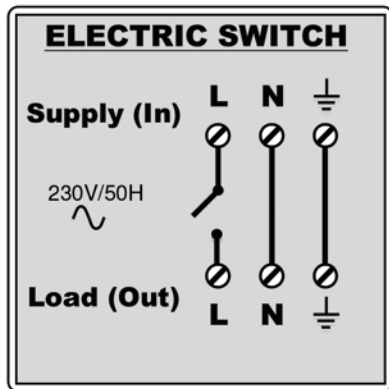


Internal Diagram



TIP: Take a photo of the existing wiring before you start to help you remember

PLEASE NOTE: The Electric Switch is mains powered and requires either a separate 3A fused spur or connection directly into the boiler if the boiler is powered from a 3A fused spur.