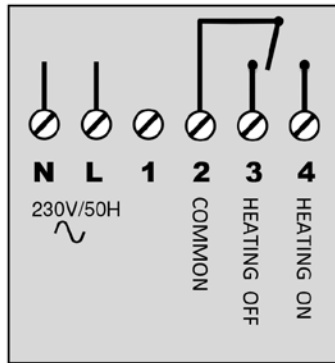
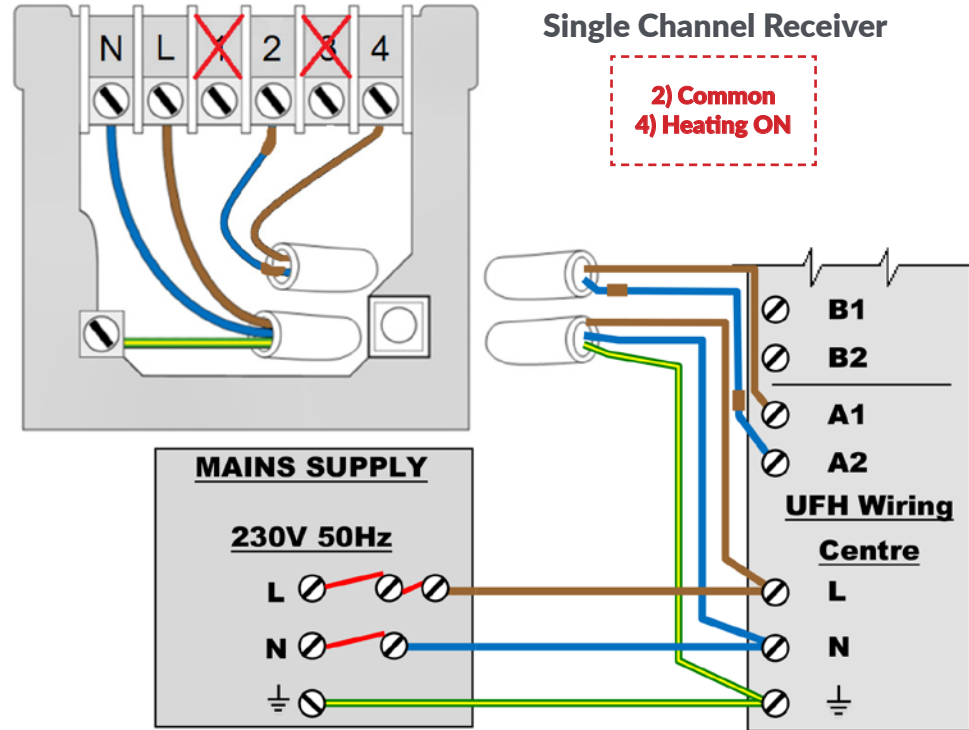


Internal Diagram



PLEASE NOTE: The Single Channel Receiver is mains powered and requires either a separate 3A fused spur or connection directly into the boiler if the boiler is powered from a 3A fused spur.



TIP: Take a photo of the existing wiring before you start to help you remember

For more wiring diagrams see: www.geniushub.co.uk/wiring

Genius Hub Terminal	Boiler Terminal
N	N
L	L
1	Not Connected
2	A2
3	Not Connected
4	A1