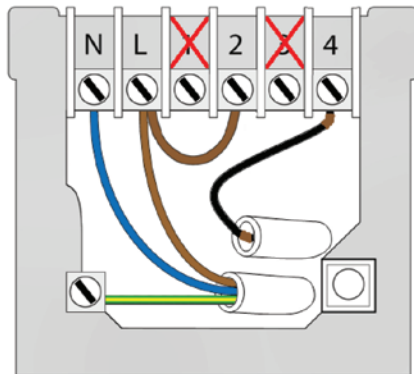


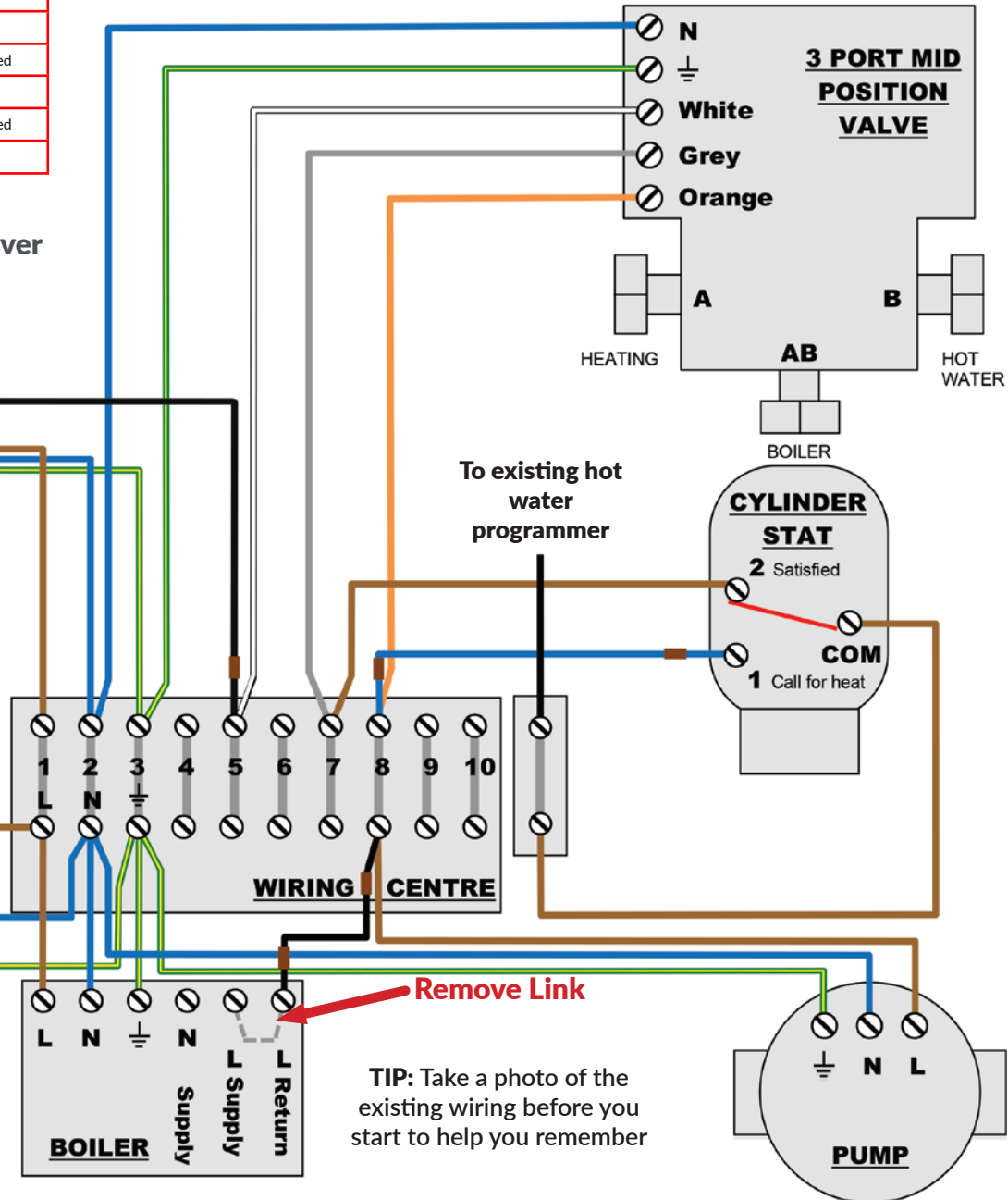
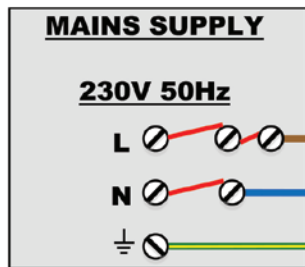
Genius Hub Terminal	Boiler Terminal
N	2
L	1
1	Not Connected
2	Link from L
3	Not Connected
4	5



**Single Channel Receiver**

2) Common  
4) Heating ON

**NOTE:** For safety, it is recommended that the original tank/cylinder thermostat remains in the circuit, left to maximum hot water temperature (65°C).



**PLEASE NOTE:** The boiler controller is mains powered and requires either a separate 3A fused spur or connection directly into the boiler if the boiler is powered from a 3A fused spur.

**Remove Link**

**TIP:** Take a photo of the existing wiring before you start to help you remember